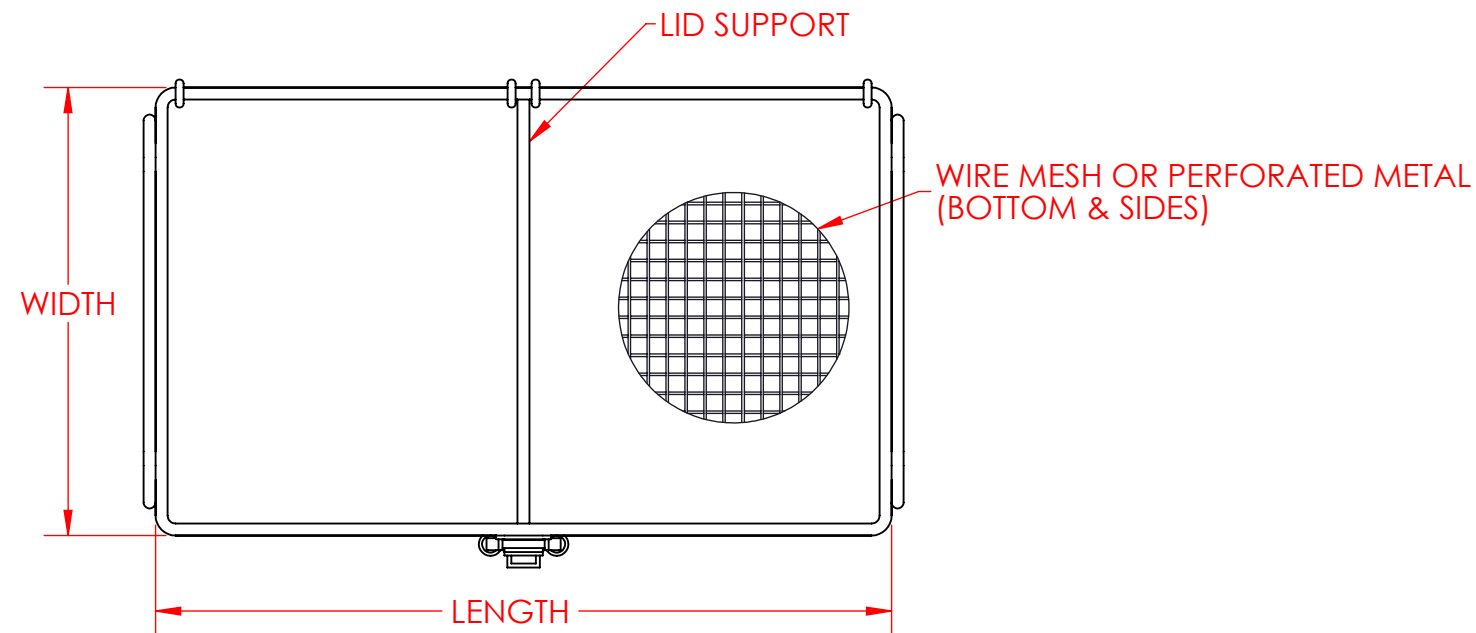
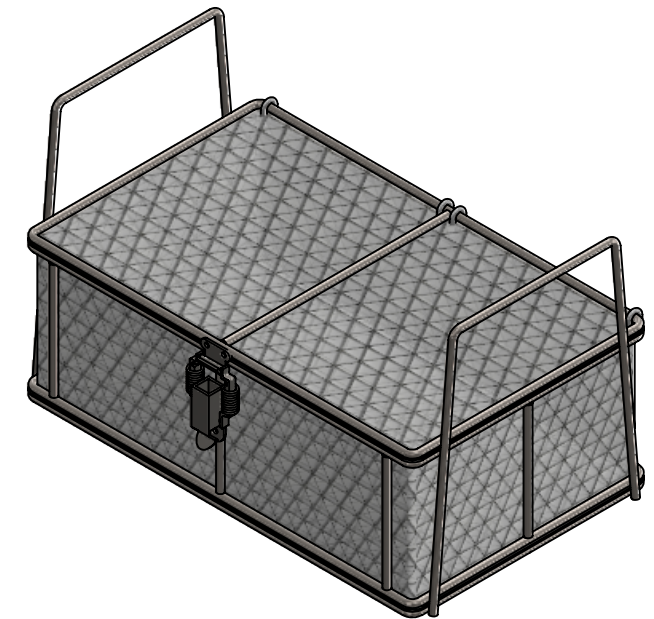
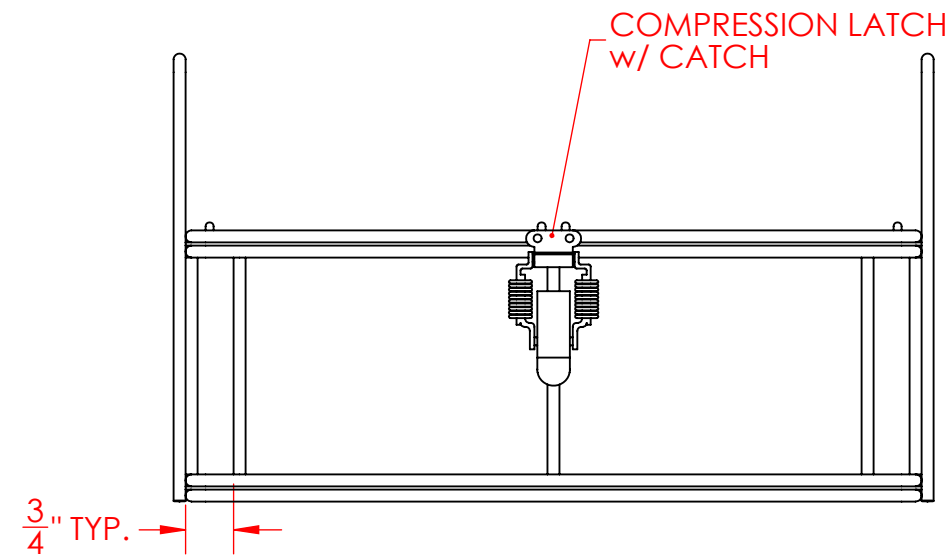
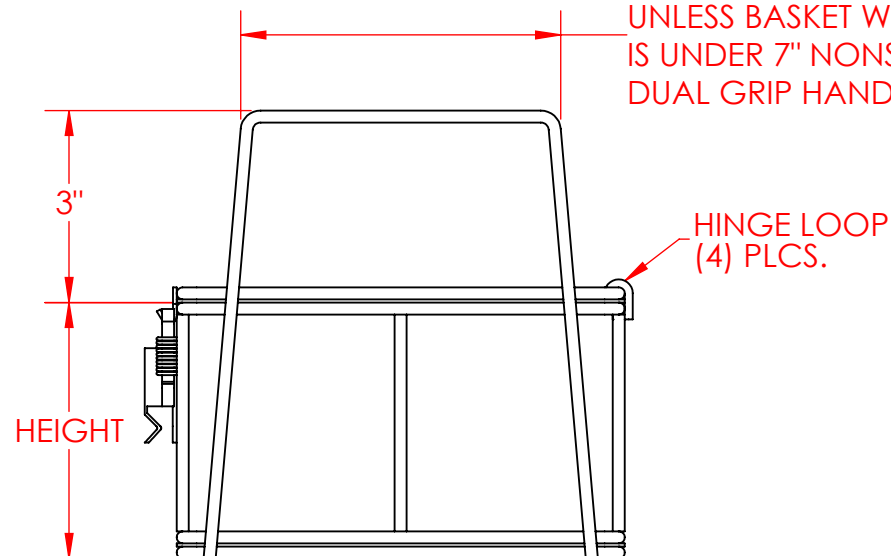


	DATE	BY	REVISION
A	7/12/2017	KPV	INITIAL DESIGN



5" UNLESS BASKET WIDTH IS UNDER 7" NONSTACKING DUAL GRIP HANDLES REQ'D



Part Number Coding:
TMT-185125050-A04S

"TMT" for mesh, "TMP" for perforated metal

Nominal Outside Length, in inches (185=18-1/2")

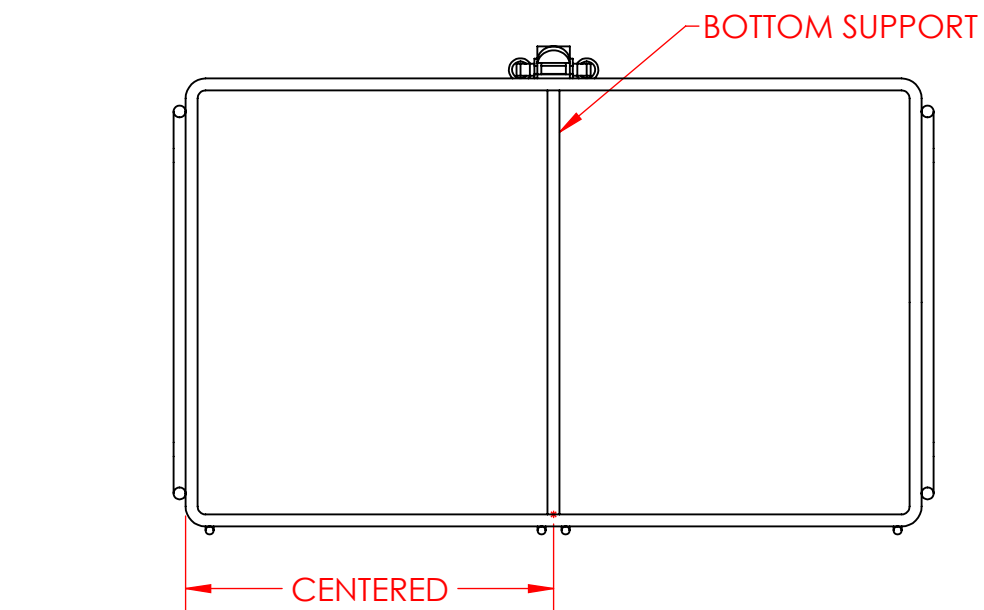
Nominal Outside Width, in inches (125=12-1/2")

Nominal Side Wall Height, in inches (050=5")

Handle & Lid Style designation

Mesh or Perf size (04 is 4 Mesh)

Material (S is 304 Stainless Steel Natural Finish)



NOTE:
1. ALL ROD TO BE $\phi 3/16"$ UNLESS OTHERWISE NOTED

MATERIAL: SEE PART NUMBER

FINISH:SEE PART NUMBER

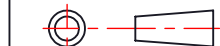
TOLERANCES UNLESS NOTED OTHERWISE
ANGLES: ± 2 DEGREES
FRACTIONS $\pm 1/16$
.X $\pm .125$
.XX $\pm .063$
.XXX $\pm .032$

SCALE: 1:3
SHEET 1 OF 1

THE INFORMATION CONTAINED ON THIS DOCUMENT IS THE INTELLECTUAL PROPERTY OF THREE M TOOL AND MAY NOT BE COPIED OR DISCLOSED WITHOUT PRIOR WRITTEN PERMISSION FROM THREE M TOOL.

REVISION SHEET SIZE

THIRD ANGLE PROJECTION



A

B



Three M Tool

1038 Elm Street
York, PA 17403
Phone: 717-845-6379
Fax: 717-845-5232
www.ThreeMTool.com

PART DESCRIPTION
Rectangular Basket w/ Hinged Lid, Thumb Latch,
Dual Grip Handles Length: 6" - 11 1/2"

Three M Tool

PART NUMBER

TMT-REC-Q-HNGLDLTCHDG-06-11.5