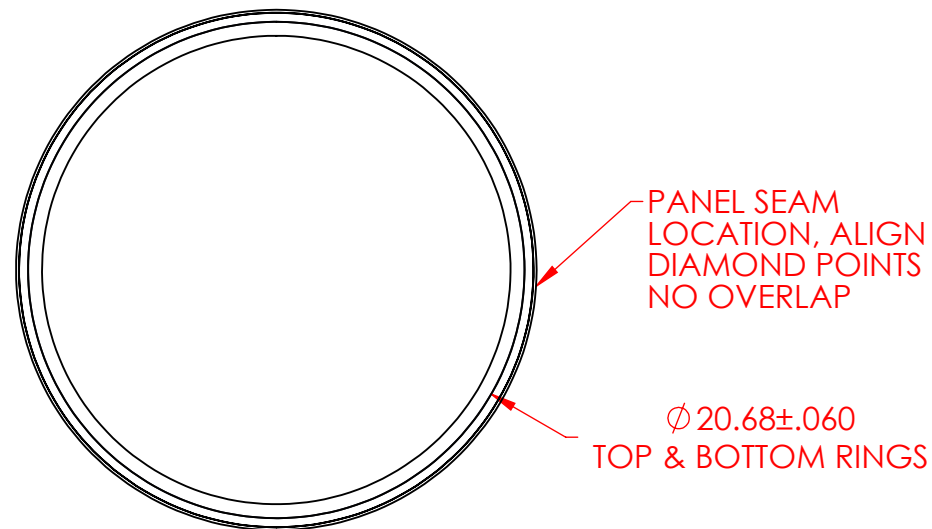
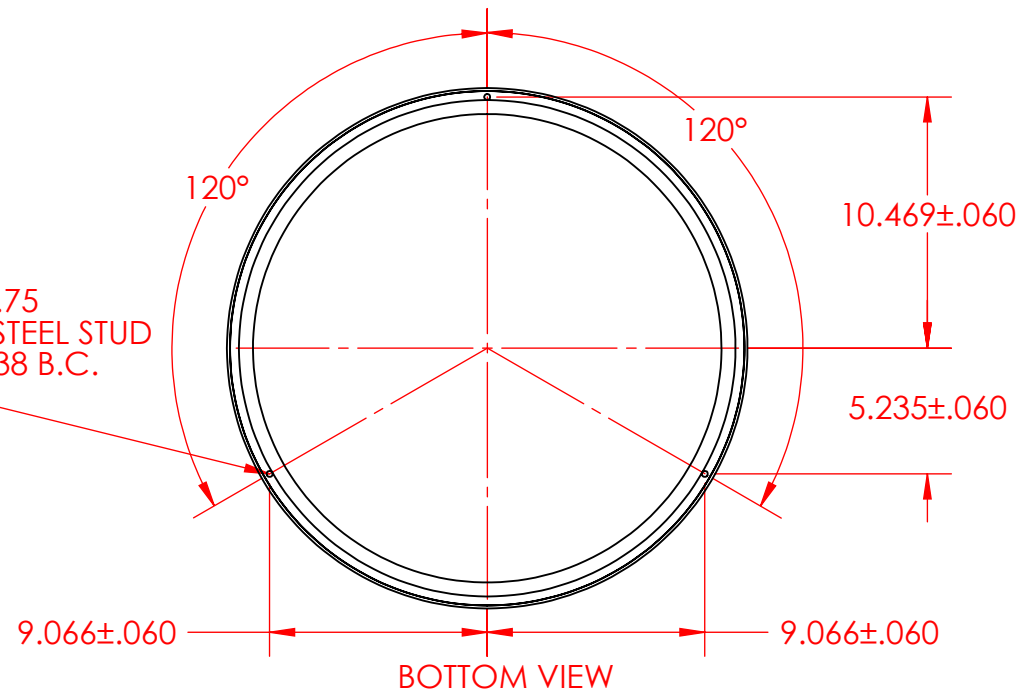
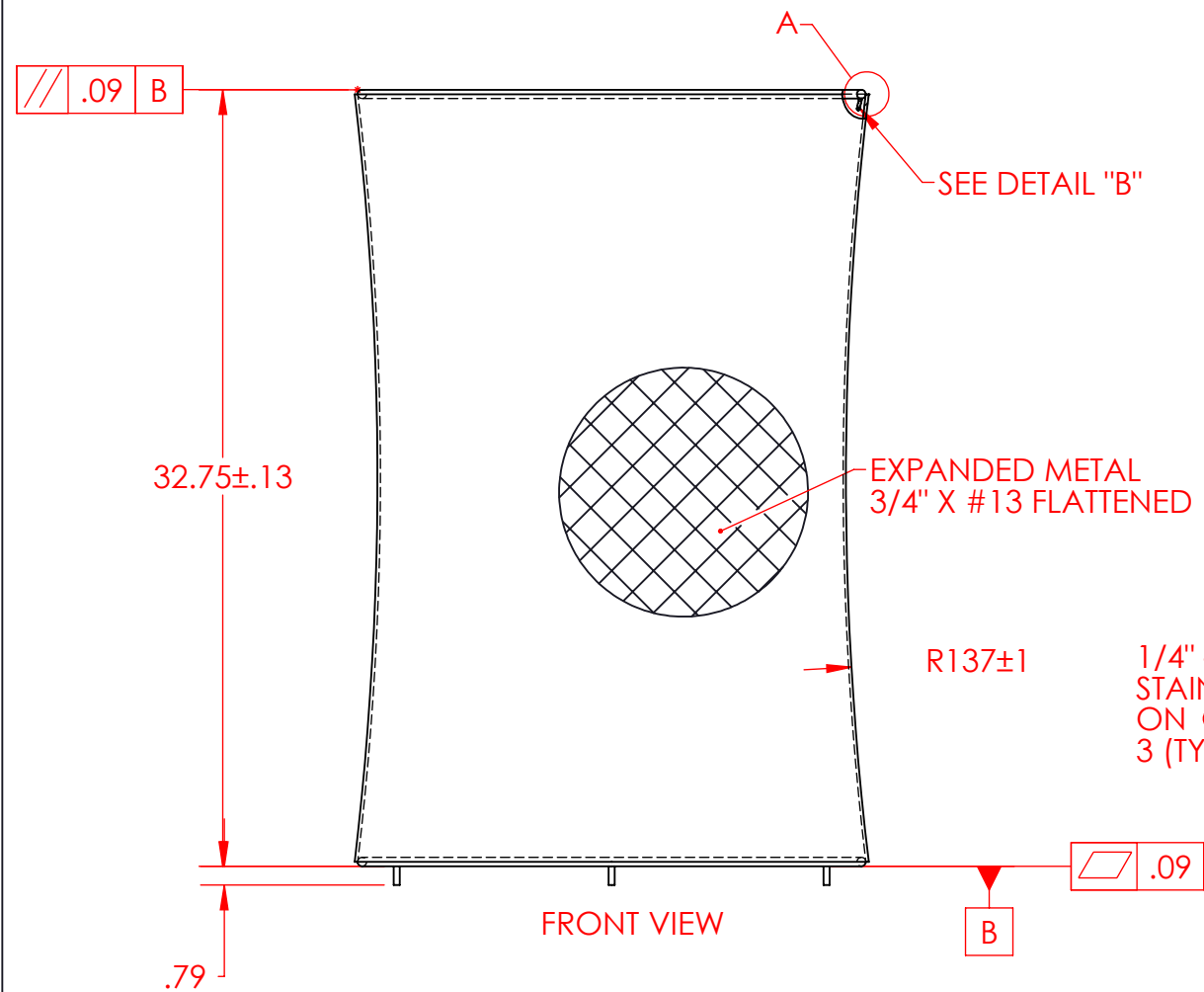
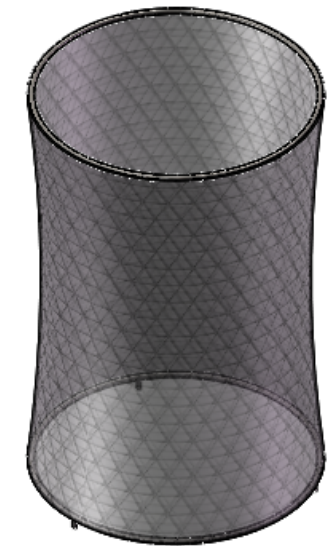
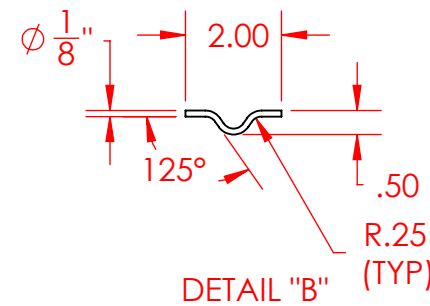
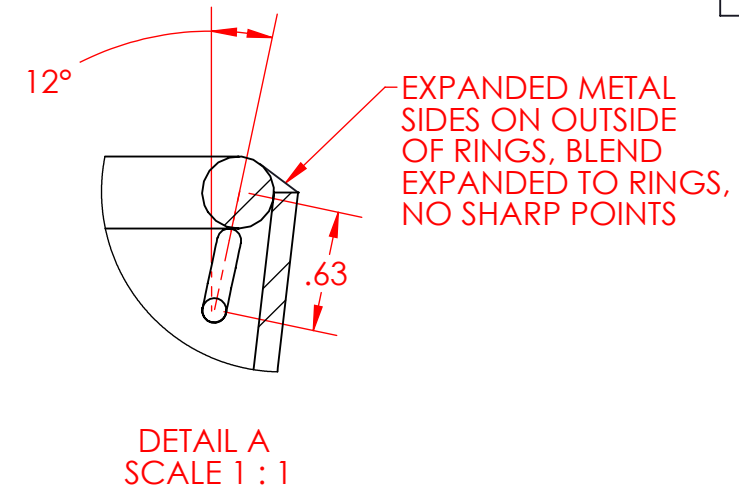


	DATE	BY	REVISION
A	10/08/14	FCO	INITIAL DESIGN



TOP VIEW



NOTES:
1) ALL ROD TO BE Ø 3/8" UNLESS NOTED OTHERWISE

TMT Three M Tool
1038 Elm Street
York, PA 17403
Phone: 717-854-6379
Fax: 717-845-5232
www.ThreeMTool.com

TOLERANCES UNLESS NOTED OTHERWISE ANGLES: ± 2 DEGREES FRACTIONS ± 1/16 .X ± .125 .XX ± .063 .XXX ± .032	MATERIAL: 304 SS		PART DESCRIPTION LITTER BASKET LandScapeForms PART NUMBER LSF-212232-304
	FINISH: NATURAL		
THIRD ANGLE PROJECTION	REVISION	SHEET SIZE	SCALE: NONE
	A	B	SHEET 1 OF 1