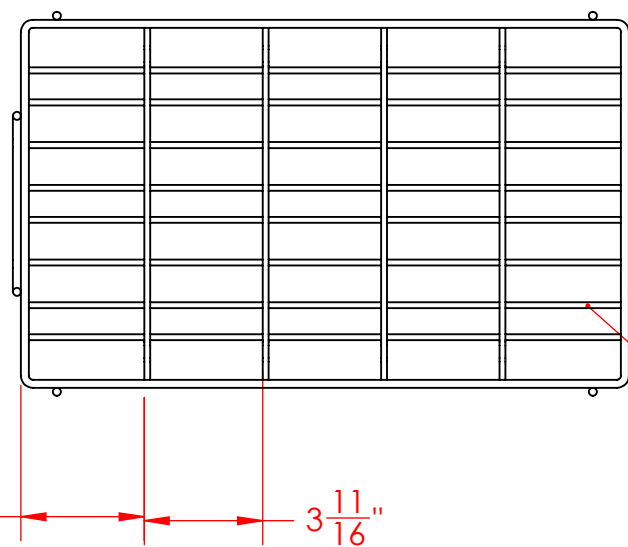
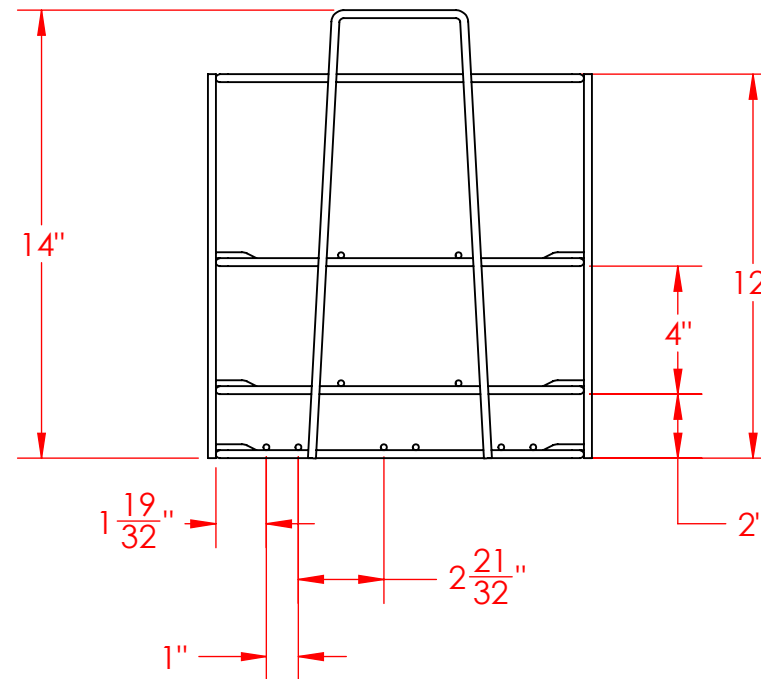
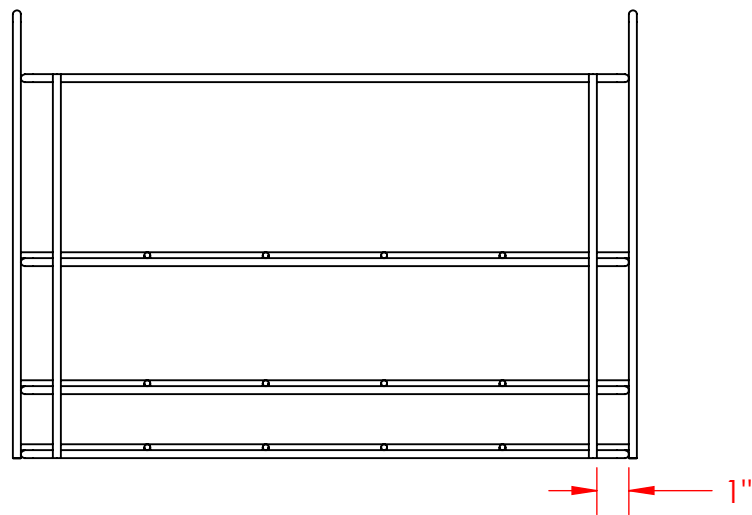
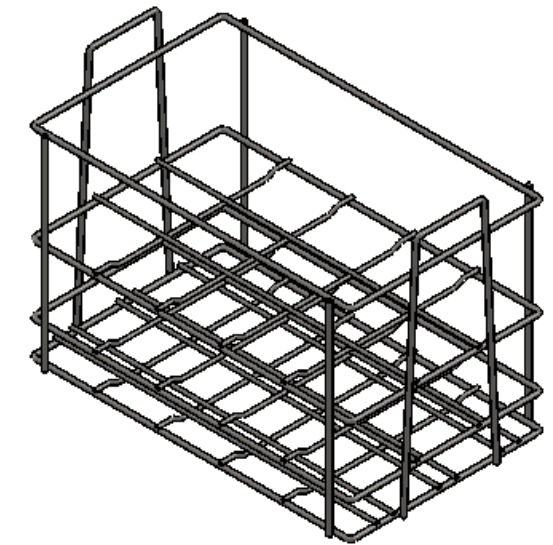
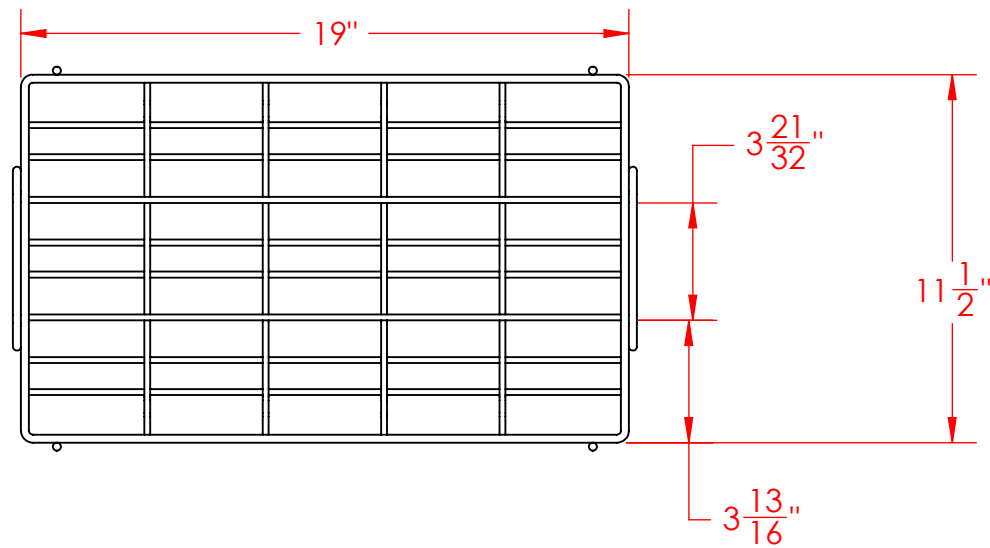


| | DATE | BY | REVISION |
|---|----------|-----|----------|
| A | 08/28/08 | wcb | DRAWN |



ALL CROSS RODS TO BE 3/16" DIA

- NOTE:
1. ALL ROD TO BE 1/4" DIA UNLESS NOTED OTHERWISE
 2. BASKET HOLDS 15 BOTTLES
 3. GRID FIXTURES REQUIRED

TMT Three M Tool
 1038 Elm Street
 York, PA 17403
 Phone: 717-854-6379
 Fax: 717-845-5232
 www.ThreeMTool.com

ESTIMATED Wt. (lbs.): 7.54

TOLERANCES UNLESS NOTED OTHERWISE
 ANGLES: ± 2 DEGREES
 FRACTIONS ± 1/16
 .X ± .125
 .XX ± .063
 .XXX ± .032

MATERIAL: 304 SS
 FINISH: Natural

THE INFORMATION CONTAINED ON THIS DOCUMENT IS CONFIDENTIAL AND IS THE INTELLECTUAL PROPERTY OF THREE M TOOL AND MAY NOT BE COPIED OR DISCLOSED WITHOUT PRIOR WRITTEN PERMISSION FROM THREE M TOOL.

THIRD ANGLE PROJECTION



REVISION SHEET SIZE

A B

PART DESCRIPTION

Plasma Bottle Crate

International BioResources, LLC

PART NUMBER

IBR-191112

SCALE: NONE

SHEET 1 OF 1
CUSTOMER