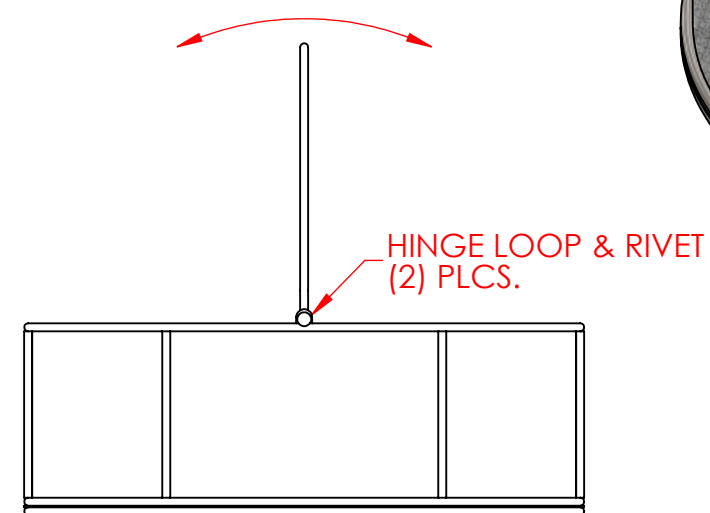
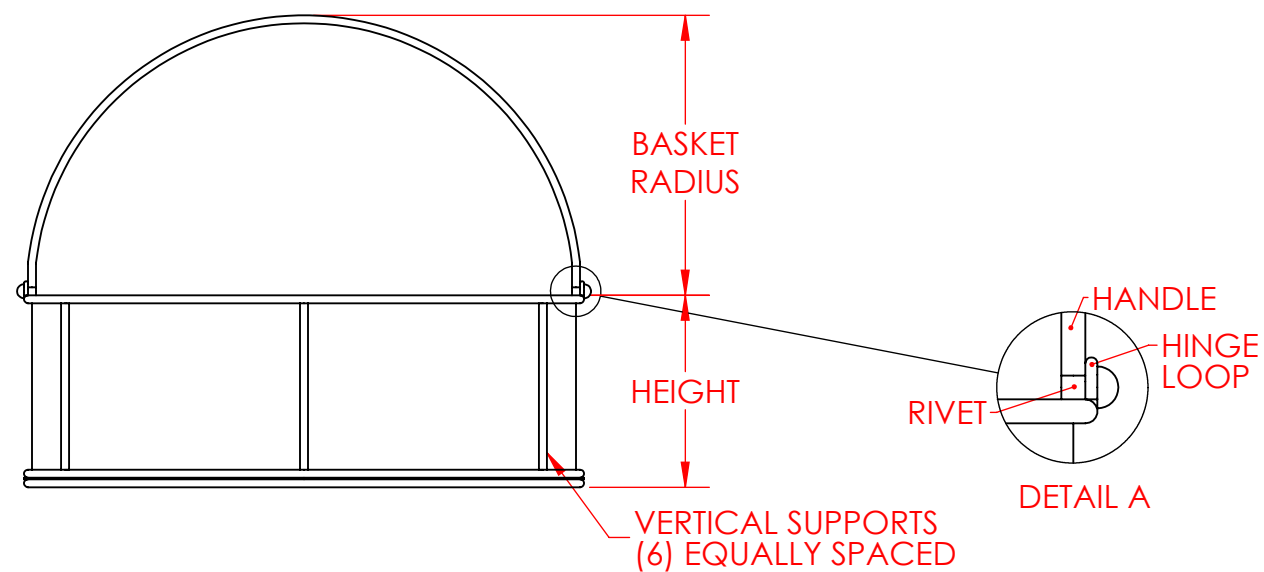
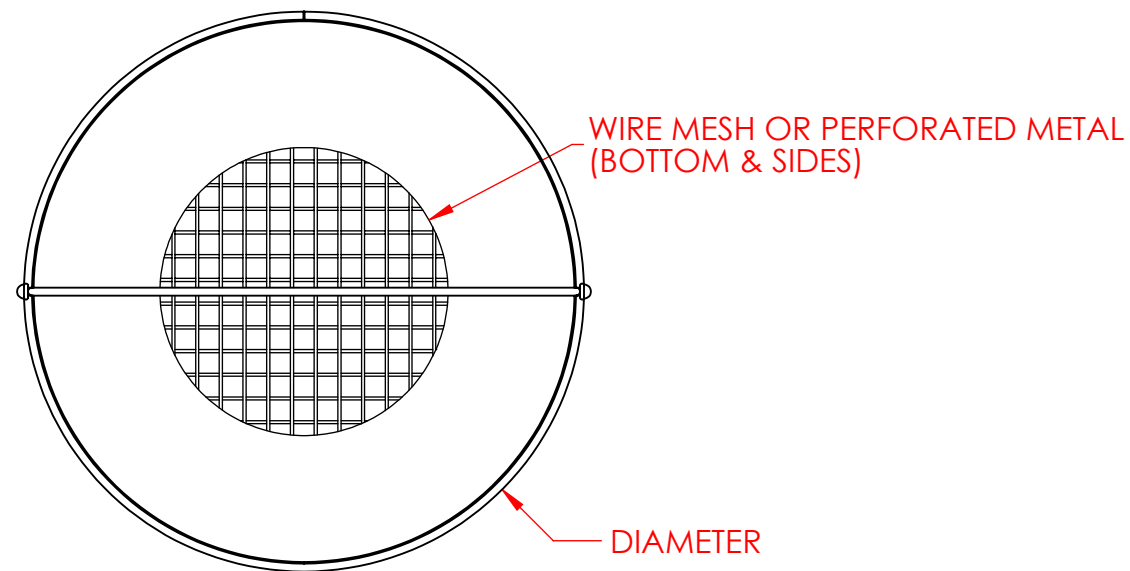


| | DATE | BY | REVISION |
|---|-----------|-----|----------------|
| A | 7/19/2017 | KPV | INITIAL DESIGN |



TMT-185RND050-A04S

"TMT" for mesh, "TMP" for perforated metal

Nominal Outside Diameter, in inches (185=18 1/2")

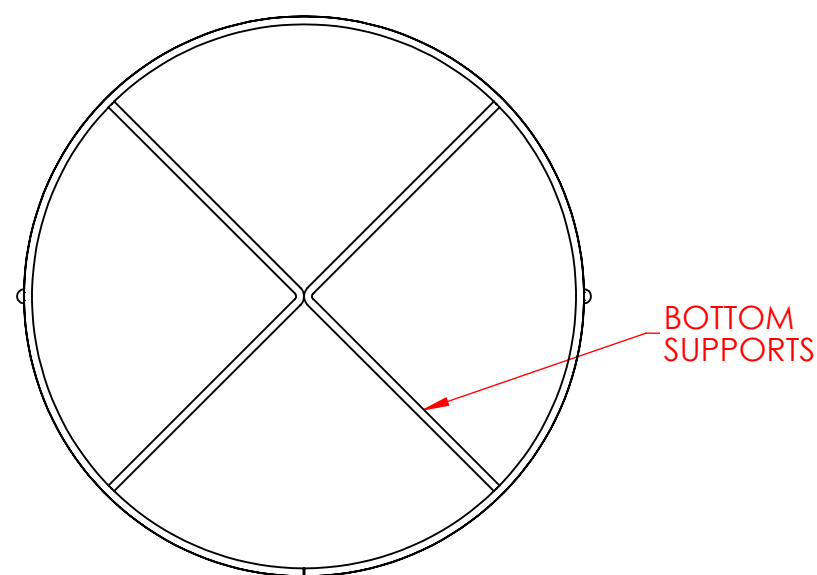
"RND" for Round Basket

Nominal Side Wall Height, in inches (050=5")

Handle & Lid Style Designation

Mesh or Perf Size (04=4 Mesh)

Material & Finish (S=304 SS, Natural Finish)



NOTE:
1. ALL ROD TO BE $\phi 1/4"$ UNLESS OTHERWISE NOTED

| | |
|-----------------------------------|--|
| MATERIAL: SEE PART NUMBER | |
| FINISH:SEE PART NUMBER | |
| TOLERANCES UNLESS NOTED OTHERWISE | SCALE: 1:6 |
| ANGLES: ± 2 DEGREES | SHEET 1 OF 1 |
| FRACTIONS $\pm 1/16$ | THE INFORMATION CONTAINED ON THIS DOCUMENT IS THE INTELLECTUAL PROPERTY OF THREE M TOOL AND MAY NOT BE COPIED OR DISCLOSED WITHOUT PRIOR WRITTEN PERMISSION FROM THREE M TOOL. |
| .X $\pm .125$ | |
| .XX $\pm .063$ | |
| .XXX $\pm .032$ | |
| THIRD ANGLE PROJECTION | REVISION SHEET SIZE |

| | | |
|--|---|---|
| | A | B |
|--|---|---|

TMT Three M Tool

1038 Elm Street
York, PA 17403
Phone: 717-854-6379
Fax: 717-845-5232
www.ThreeMTool.com

PART DESCRIPTION
Round Basket, Swinging Round Loop Handle, ($\phi 12"$ - $\phi 17.5"$)

Three M Tool
PART NUMBER
TMT-RND-C-SWRD - 12-17.5