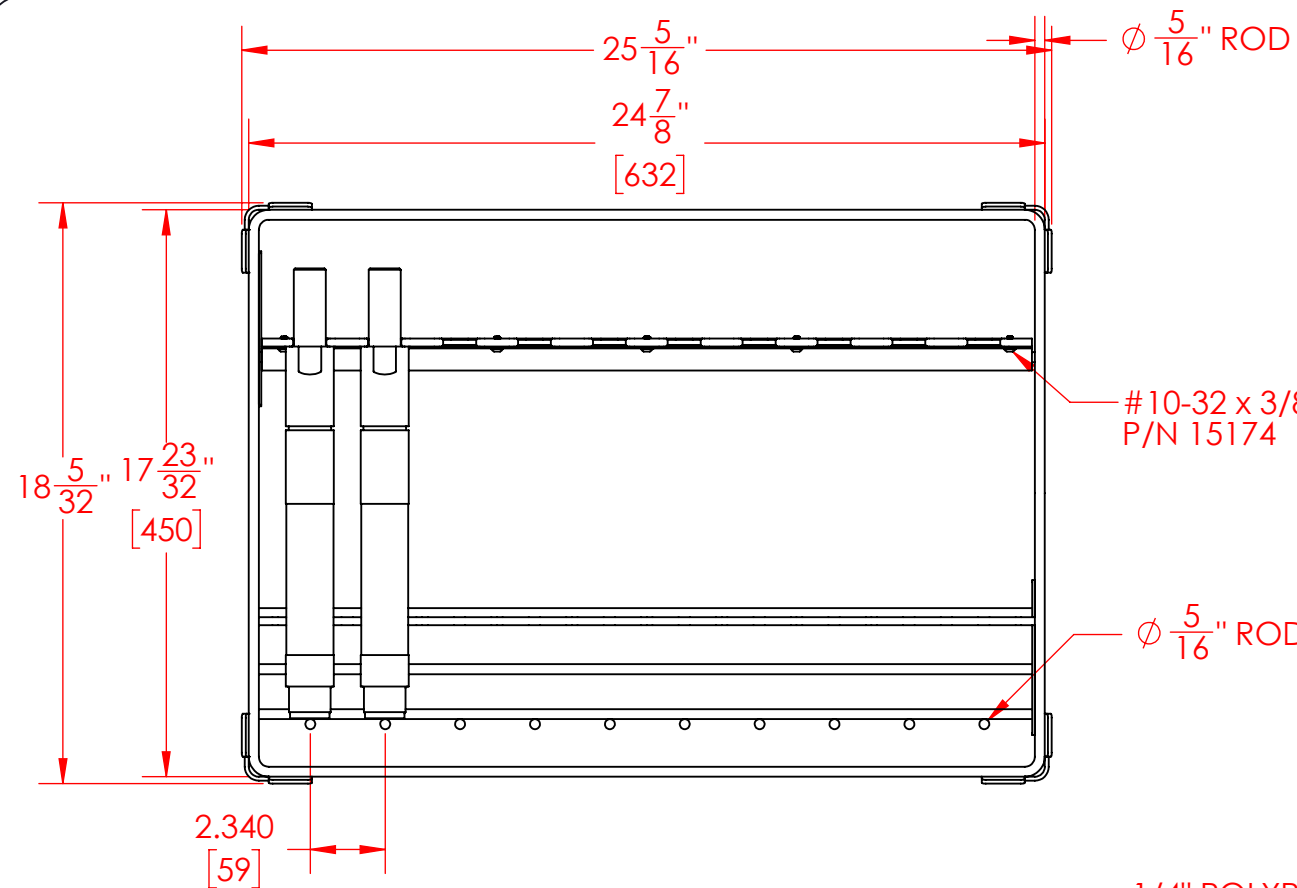
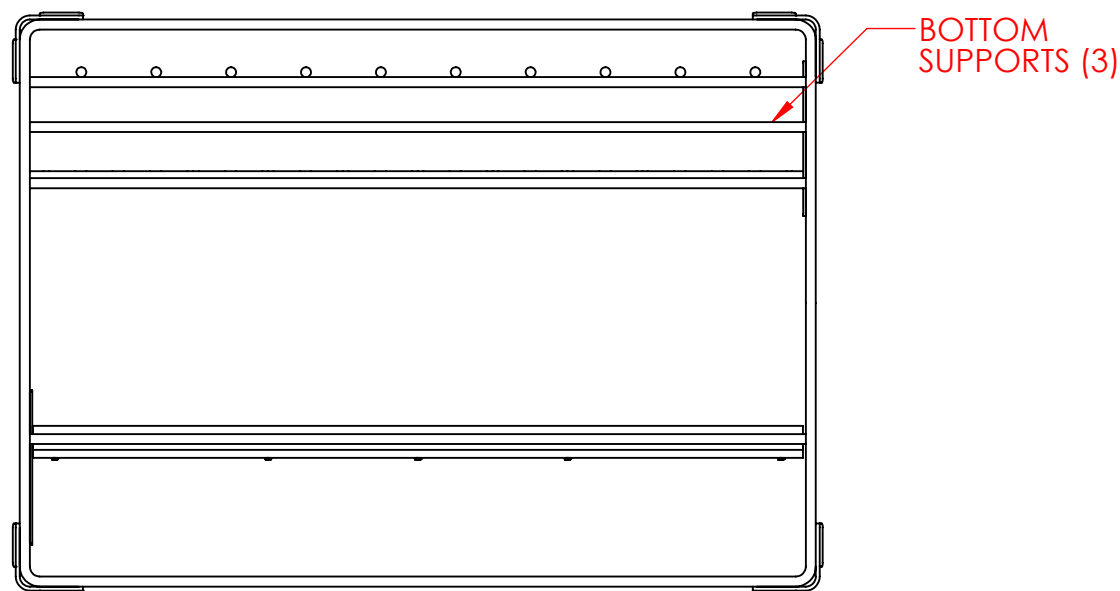
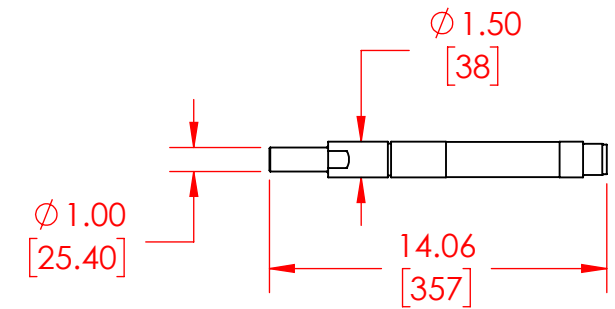
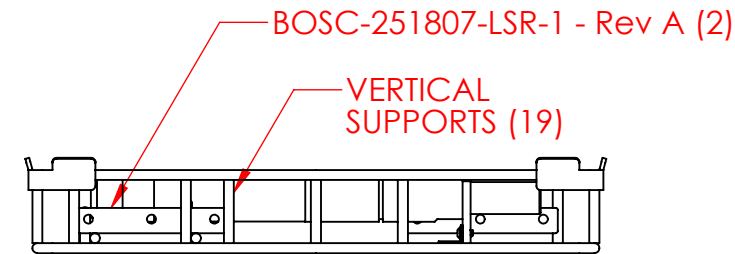
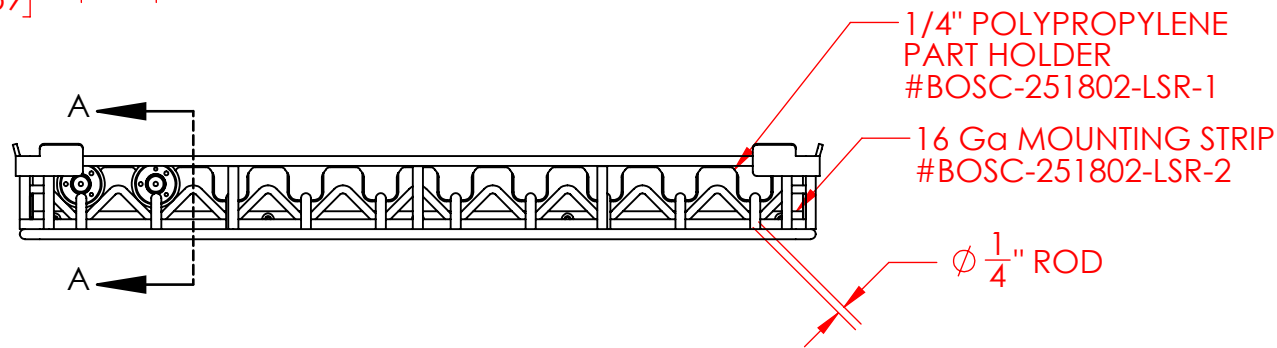
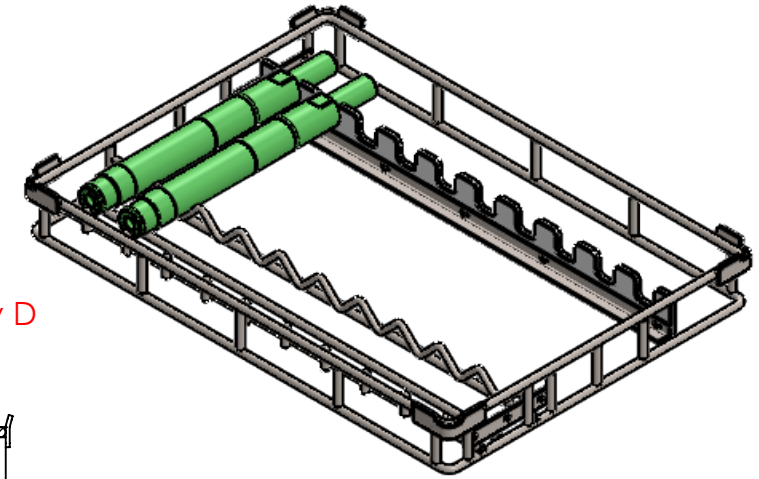
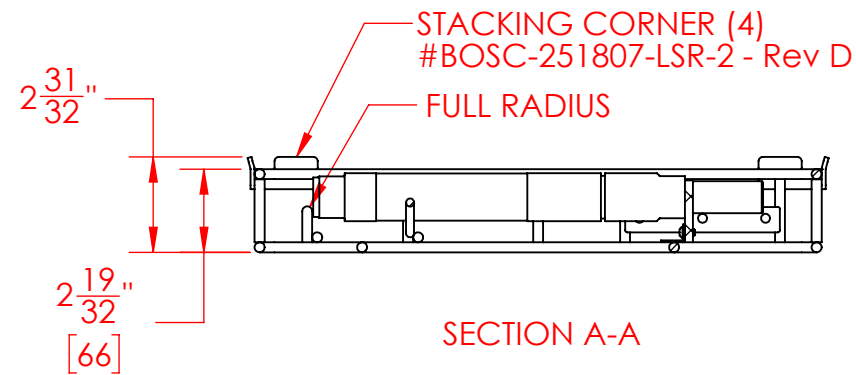


	DATE	BY	REVISION
A	6/22/18	Gilgore	INITIAL DESIGN



#10-32 x 3/8" B.H.C.S. (5)
P/N 15174

ϕ $\frac{5}{16}$ " ROD



- NOTE:
1. FINISH IS ELECTROPOLISH
 2. TRAY IS DESIGNED TO HOLD (10) CUSTOMER PARTS AS SHOWN
 3. GRID FIXTURE REQUIRED
 4. * WEIGHT IS PART TRAY ONLY

ESTIMATED Wt. 8.9 (lbs.)*

MATERIAL: 304 SS

FINISH: See Note

TOLERANCES UNLESS NOTED OTHERWISE
ANGLES: \pm 2 DEGREES
FRACTIONS \pm 1/16
.X \pm .125
.XX \pm .063
.XXX \pm .032

THIRD ANGLE PROJECTION

SCALE: 1:6

SHEET 1 OF 2

THE INFORMATION CONTAINED ON THIS DOCUMENT IS THE INTELLECTUAL PROPERTY OF THREE M TOOL AND MAY NOT BE COPIED OR DISCLOSED WITHOUT PRIOR WRITTEN PERMISSION FROM THREE M TOOL.

REVISION SHEET SIZE

A B



Three M Tool

1038 Elm Street
York, PA 17403
Phone: 717-854-6379
Fax: 717-845-5232
www.ThreeMTool.com

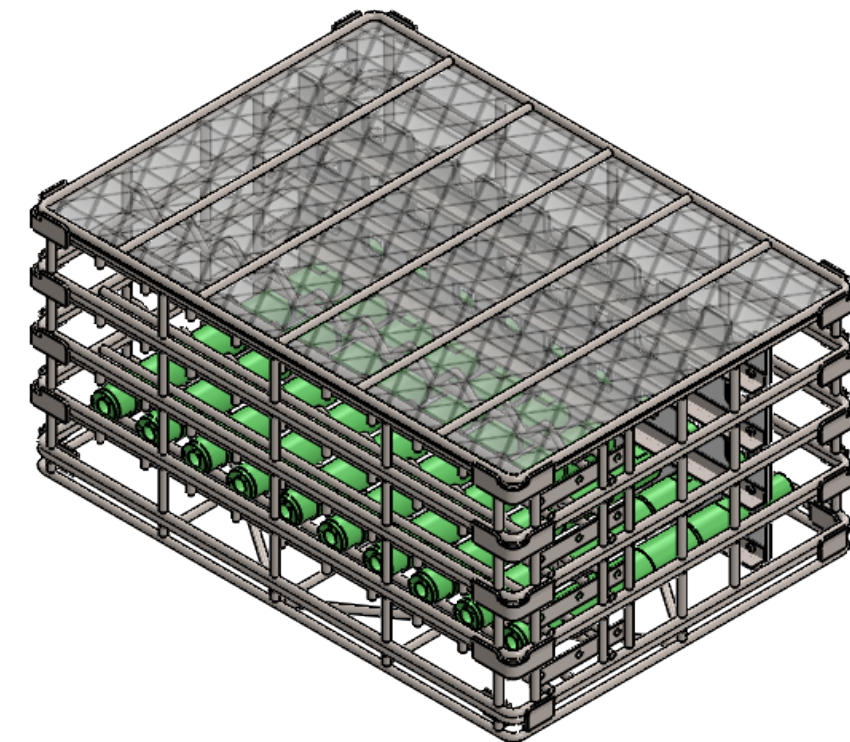
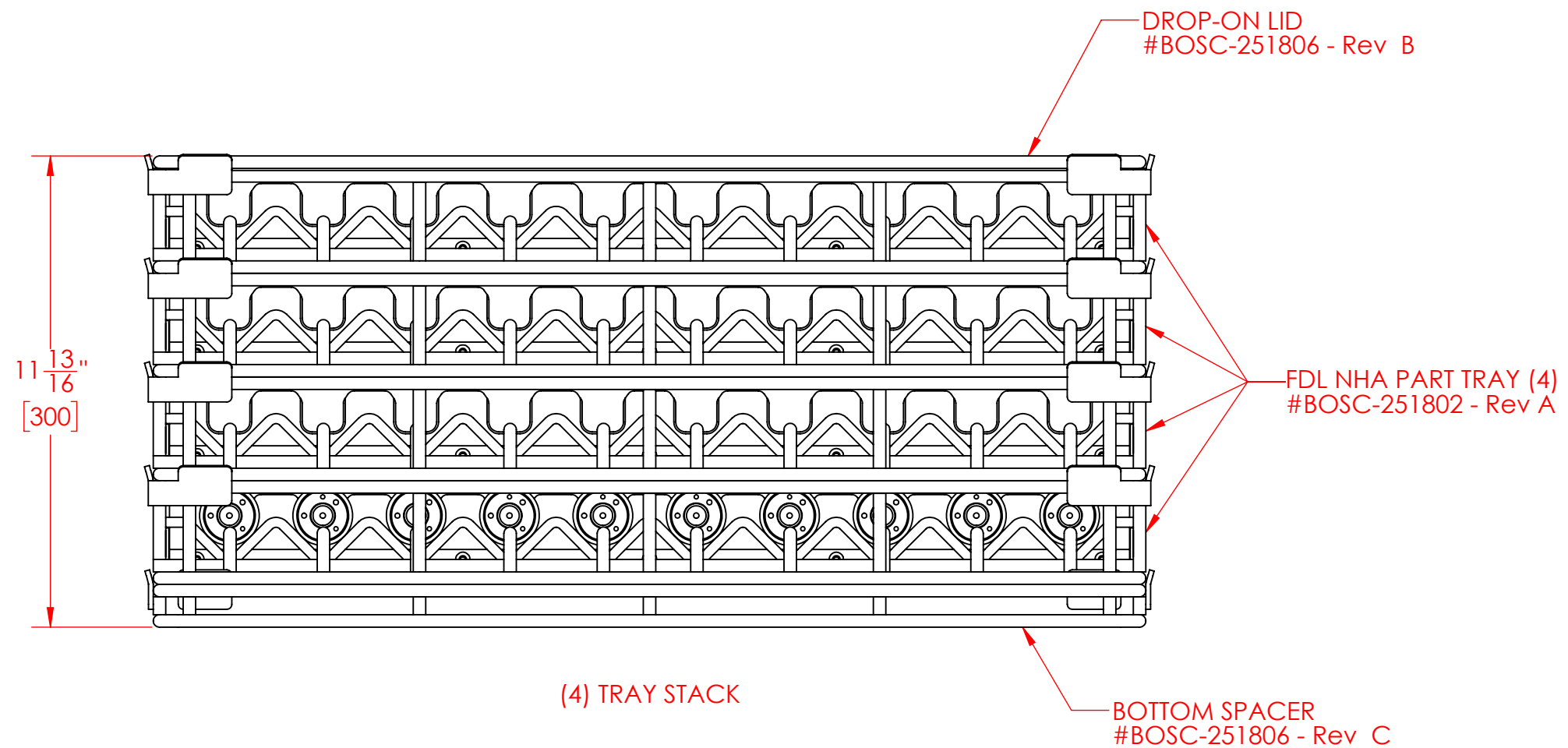
PART DESCRIPTION

FDL NHA Part Tray



Bosch

PART NUMBER

BOSC-251802 - REV A



(4) TRAY STACK

ESTIMATED Wt. 8.9 (lbs.)		 Three M Tool 1038 Elm Street York, PA 17403 Phone: 717-854-6379 Fax: 717-845-5232 www.ThreeMTool.com
MATERIAL: 304 SS		
FINISH: See Note		
TOLERANCES UNLESS NOTED OTHERWISE ANGLES: ± 2 DEGREES FRACTIONS ± 1/16 .X ± .125 .XX ± .063 .XXX ± .032		SCALE: 1:3.75 SHEET 2 OF 2 <small>THE INFORMATION CONTAINED ON THIS DOCUMENT IS THE INTELLECTUAL PROPERTY OF THREE M TOOL AND MAY NOT BE COPIED OR DISCLOSED WITHOUT PRIOR WRITTEN PERMISSION FROM THREE M TOOL.</small>
THIRD ANGLE PROJECTION		PART DESCRIPTION FDL NHA Part Tray Bosch PART NUMBER BOSC-251802 - REV A
		REVISION SHEET SIZE A B